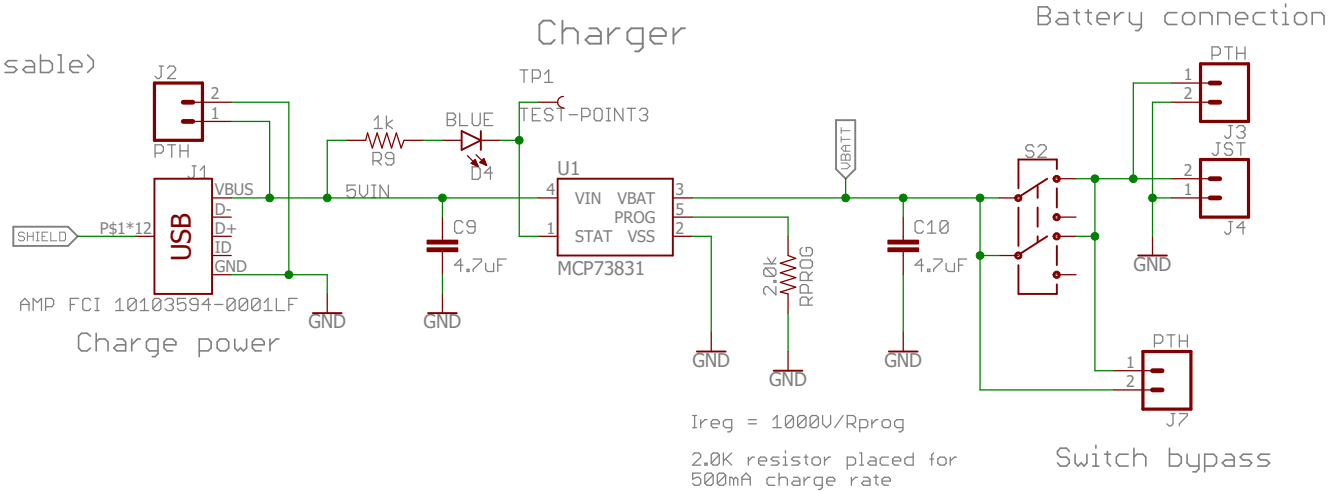


LiPo Charger Booster

To charge battery,
Minimize output load (or disable)
Supply 3.75 to 6V, 500mA
capable to USB or input
voltage pins.

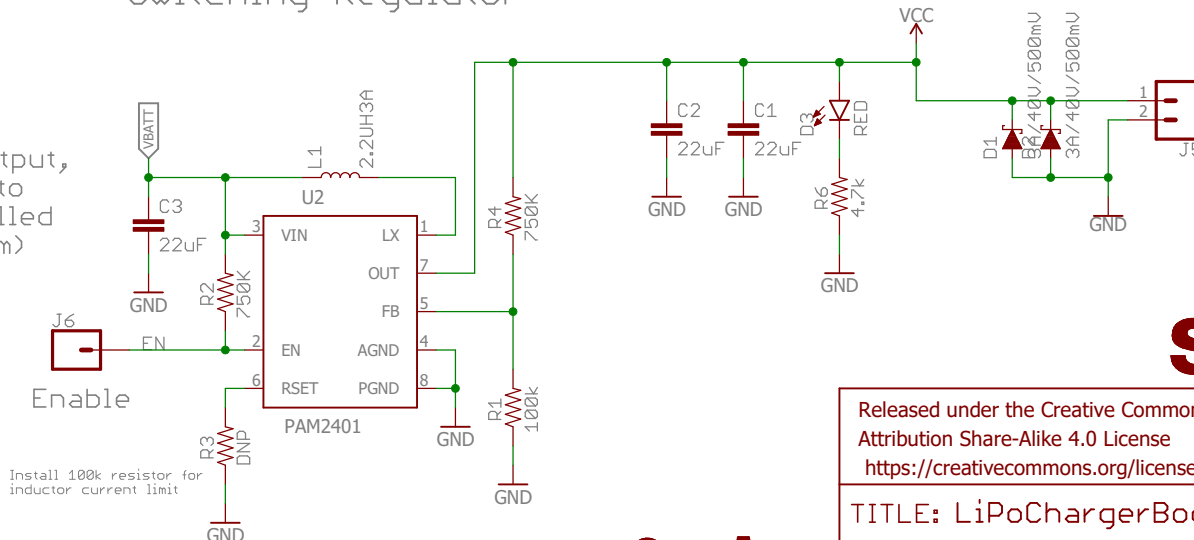
Output capacity:
5V, 1A for 3.0V to 4.2V
battery voltage.

For heavy duty use:
Use 2A switch in switch
bypass pins, or jump
with wire.



Switching Regulator

Enable pin:
To disable output,
short EN pin to
ground (is pulled
up with 10kOhm)



sparkfun

Released under the Creative Commons Attribution Share-Alike 4.0 License
<https://creativecommons.org/licenses/by-sa/4.0/>

TITLE: LiPoChargerBooster5U1A_v10

Design by: Marshall Taylor

REV:
v10

Date: 9/22/2017 11:59 AM

Sheet: 1/1

