

8MM RGB LED LAMP COMMON ANODE(10PCs)

Illustration above indicating a 8mm RGB (Red Green Blue) with four pins. Triple output one for each color with a common anode. This LED can be used for three status indicators or pulse width modulates all three and gets mixed colors!



APPLICATION IDEAS

- I Moving Message Display
- I Banking Board
- I Digital Display
- I Full Color Display
- I Score Boards

LED CHIP ABSOLUTE MAXIMUM RATINGS: (TA=25 °C)

Parameter	Symbol	Value	Unit
Power Dissipation	P _M	100	Mw
Peak Pulsing Current	I _M	100	mA
Forward Current	I _F	30	mA
Reverse Voltage	V _R	5	V
Operation Temperature	T _{OPT}	-20°C ~ 85°C	°C
Storage Temperature	T _{STG}	-25°C ~ 100°C	°C
Solder Temperature : 2.0mm From Body For 3 Seconds at 230°C			

LED CHIP TYPICAL ELECTRICAL & OPTICAL CHARACTERISTICS: (TA=25 °C)

Parameter	Symbol	MIN	TYP	MAX	Unit	Test Condition
Luminous Intensity	R TV	100	/	600	M _{cd}	IF=20mA
Luminous Intensity	G TV	800	/	1500	M _{cd}	IF=20mA
Luminous Intensity	B TV	400	/	800	M _{cd}	IF=20mA
Forward Voltage	R VF	1.9	/	2.3	V	IF=20mA
Forward Voltage	G VF	3.0	/	3.3	V	IF=20mA
Forward Voltage	B VF	3.0	/	3.3	V	IF=20mA
Peak Wavelength±0.5	R λP	620	/	630	nm	IF=20mA
Peak Wavelength±0.5	G λP	515	/	520	nm	IF=20mA
Peak Wavelength±0.5	B λP	465	/	467.5	nm	IF=20mA
Reverse Current	IR		/	5	μA	VR=5V
Viewing Angle at			50		deg	IF=20mA
Light Degradation after 1000 hours	R					-4.68%~-8.27%
	G					-11.37%~-15.30%

B

-8.23%~-16.81%

LICENSING

This documentation is licensed under the Creative Commons Attribution-Noncommercial-Share Alike License 3.0. Source code and libraries are licensed under [GPL/LGPL](#), see source code files for details.



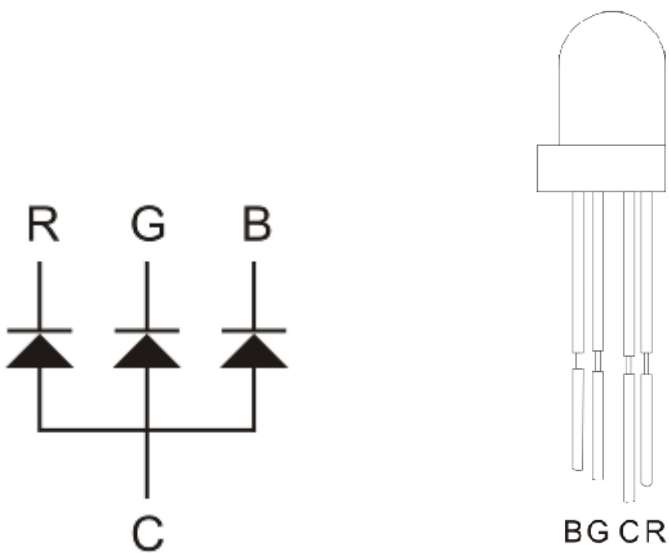
CAUTIONS

In order to make the LEDs lifespan longer, please set the input current below 20mA.

Electrical & Optical Characteristics consistency of same items all shipments.

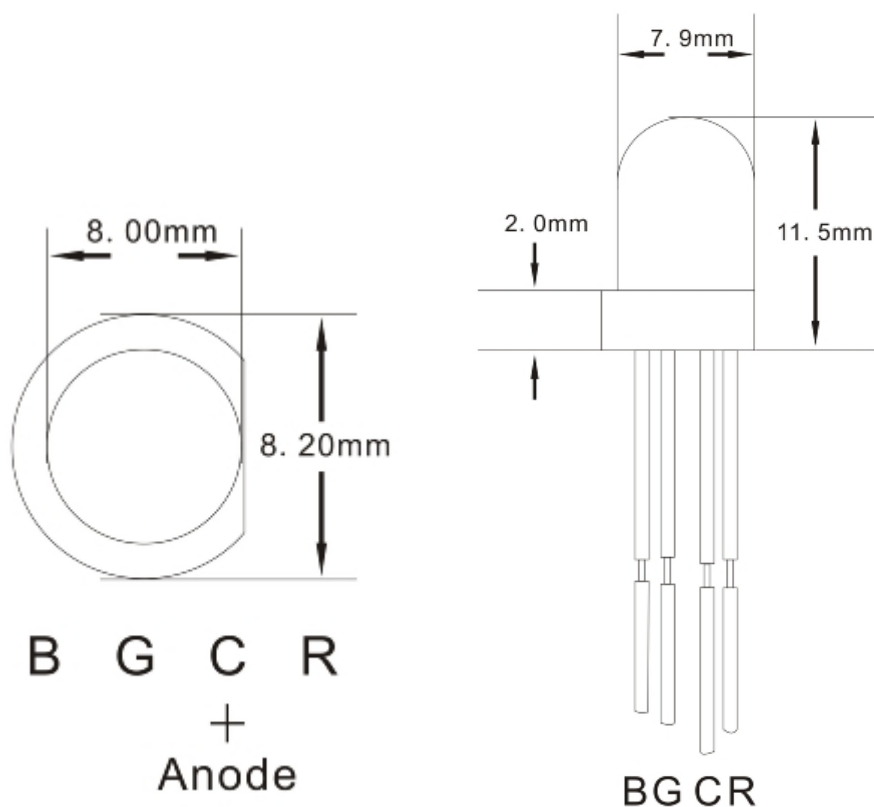
PIN DEFINITION AND RATING

The longest pin is the common one, and other pins are shown in the picture as follows:



MECHANIC DIMENSIONS

I All dimensions are in mm, tolerance is 0.2mm unless otherwise noted.



SUPPORT

Please refer to product page for latest documents and development resources, any product related issue could be inquired via info@seeedstudio.com

REVISION HISTORY

Rev.	Descriptions	Editor	Release date
v0.9b	Initial public release	Lafier	Sept 29, 2010