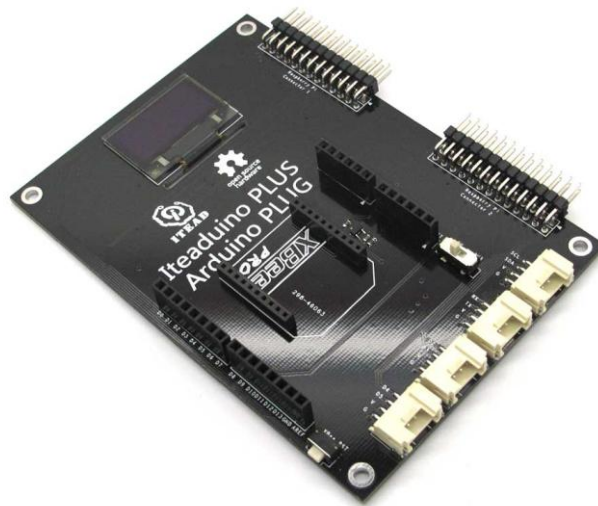




# Iteaduno Plus Arduino Plug

## Overview

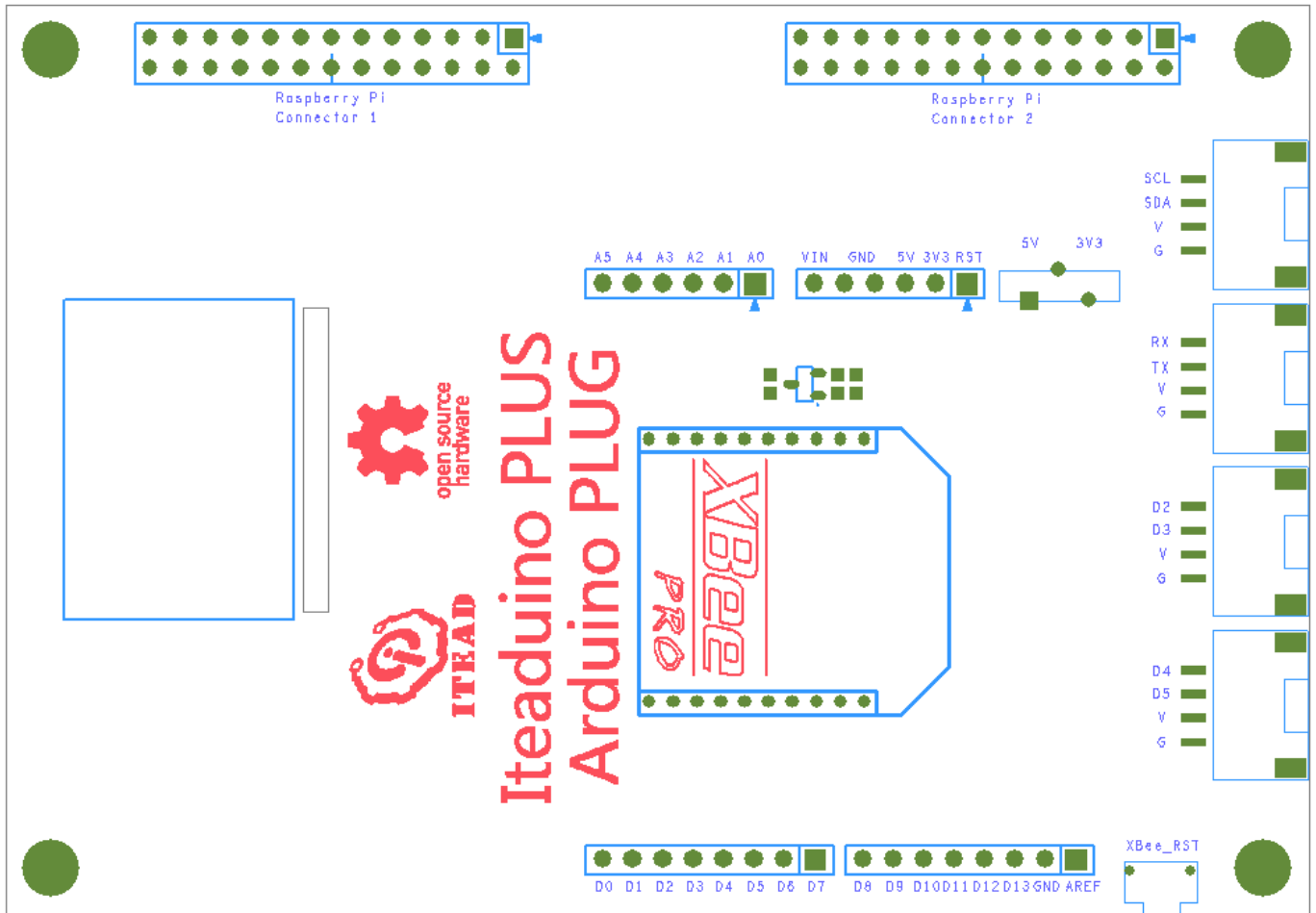


Iteaduno Plus Arduino Plug is specifically designed for A10/A20 evaluation board. It adapts Raspberry Pi interface on A10/A20 evaluation board to Arduino interface, which facilitates development as Arduino. There is an OLED screen and Grove interface of electronic brick, which is beneficial to prototyping development.

## Specifications

PCB size	109.3mm X 76.2mm X 1.6mm
Operating level	3.3V
Interface	4-pin Grove interface, XBee interface and Raspberry Pi interface

# Hardware



## pinMap

Index of Interface	Definition in Iteaduno Plus	Name of Raspberry PI Interface	Index of Arduino
1	3V3	3.3V	3.3V
2	5V	5V	5V
3	SDA0/68	SDA0	A4
4	5V	DNC	5V
5	SCL0/67	SCL0	A5
6	GND	GND	GND
7	20	GPIO7	D9
8	UART4_TX/89	TX	D1
9	GND	DNC	GND
10	UART4_RX/90	RX	D0
11	9	GPIO0	D2
12	10	GPIO1	D3



13	11	GPIO2	D4
14	GND	DNC	GND
15	14	GPIO3	D5
16	15	GPIO4	D6
17	DNC	DNC	3.3V
18	16	GPIO5	D7
19	SPIO_MOSI/111	MOSI	D11
20	GND	DNC	GND
21	SPIO_MISO/112	MISO	D12
22	19	GPIO6	D8
23	SCL/110	SCLK	D13
24	SPIO_CS0/109	SPIO_CE0	D10
25	GND	DNC	GND
26	SPIO_CS1/137	SPIO_CE1	A3

#### XBee Interface

Index of Interface	Definition in Iteadstudio Plus	Name of Arduino	Index of XBee
1	3.3V	3.3V	3.3V
2	GND	GND	GND
3	UART4_RX/90	D0	XBee_Dout
4	UART4_TX/89	D1	XBee_Din
5	SPIO_CS1/137	A3	XBee_RST

#### OLED Interface

Index of Interface	Definition in Iteadstudio Plus	Name of Arduino	Index of OLED
1	3.3V	3.3V	3.3V
2	GND	GND	GND
3	SDA0/68	A4	OLED_SDA
4	SCL0/67	A5	OLED_SCL
5	11	D4	OLED_RST

## Operating level switch



By sliding the switch, the power voltage at V pin on the electronic brick will also be changed. When switching to 3,3V, voltage at V pin will be 3.3V and it will be 5V when switching to 5V.

# Button

## 1. XBee\_RST

Reset button of XBee module, press it to reset the module.

# Compatibility

Arduino Plug's compatibility with shields in iMall is shown as below:

SKU	Name	Compatibility
IM120417014	ITEAD Joystick shield	N
IM120417023	IBridge lite	Y
IM120417015	Arduino Dual Step Motor Driver Shield	Y
IM120417022	IS Shield	Y
IM120417017	Arduino GPS shield	Y
IM120417021	3.2 TFT LCD Touch Shield	N
IM120417018	Arduino 1602 LCD Shield	N
IM120417020	2.8 TFT LCD Touch Shield	N
IM120417019	Arduino USB Host Shield	Y
IM120628001	Arduino Mega Sensor Shield	N
IM120628002	Arduino Sensor Shield V4	Y
IM120704001	BT BoosterPack	N
IM120417013	Arduino Proto Screw Shield	Y
IM120417024	ITDB02 Arduino MEGA Shield	N
IM120417012	2.4 TFT LCD Touch shield	N
IM120417007	Stackable SD Card shield	Y
IM120417006	BT Shield (Slave)	Y
IM120417008	ITDB02 Arduino Shield	N
IM120417005	MotoMama	Y
IM120417009	IComSat	Y
IM120417004	XBee Shield	Y
IM120417010	BT Shield (Master Slave)	Y
IM120417002	Colors Shield	N
IM120417001	IBridge	N
IM120417003	IE Shield	Y
IM120417016	Arduino Nano IO Shield	N
IM120911007	W5100 Ethernet Shield	Y
IM121010001	WIFI Shield REV2	Y



IM121026001	ITEAD Music Player Shield	N
IM121026002	ITEAD 3G Shield	Y
IM121115001	ITEAD Power Shield	Y
IM121211001	ITEAD Arduino Sensor Shield	Y
IM130704001	ITEAD BLE Shield	Y
IM130715001	Mega Proto Screw Shield	N

## Revision record

Version	Description	Written by	Date
v1.0	Initial edition	Stan Lee	23 <sup>rd</sup> , Sept., 2013