

Octopus Gesture Sensor

Specification



www.electfreaks.com

1. Description

OCTOPUS Gesture Sensor is PAJ7620U2 that integrates gesture recognition function with general I2C interface into a single chip. It can recognize 9 gestures including move up, move down, move left, move right, etc with a simple swipe of your hand.

2. Features

- Various main boards support : Freaduino UNO/ Arduino UNO/Freaduino Mega2560/Arduino Mega2560
- Built-in proximity detection
- 9 Basic gestures: (Up、Down、Right、Left、 Forward、 Backward、 Clockwise、 Count Clockwise、 Wave)
- Detection range: 5-10cm
- Ambient light immunity: < 100k Lux
- Power supply: 5V
- Working temperature -20°C ~ 70°C
- Size: 23.48mm×31.28mm

3. Application

- can be used with other OCTOPUS series electronic building blocks
- smart car
- robot
- mobile phone

4. Electronic characteristics

PARAMETER	MIN	TYP	MAX	UNIT
Power Supply Voltage	-	5	-	V
Operation Modes Current		2.82		mA
Peak LED Current		720	860	mA

5. Pin Information

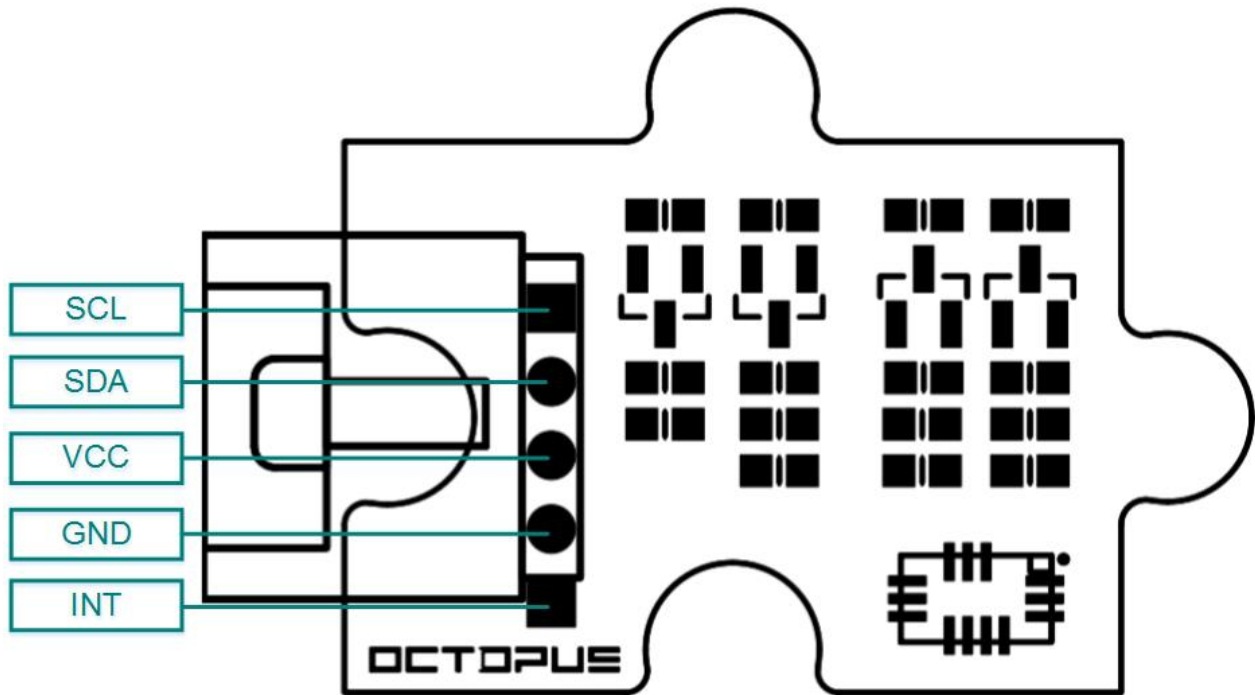


Figure 1 Top Map

TYPE	SYMBOL	DESCRIPTION
Magnetic SW	SCL	IIC Bus Clock
	SDA	IIC Bus Data
	VCC	POWER Supply 5V
	GND	POWER Ground
	INT	Interrupt Output

8. Dimension

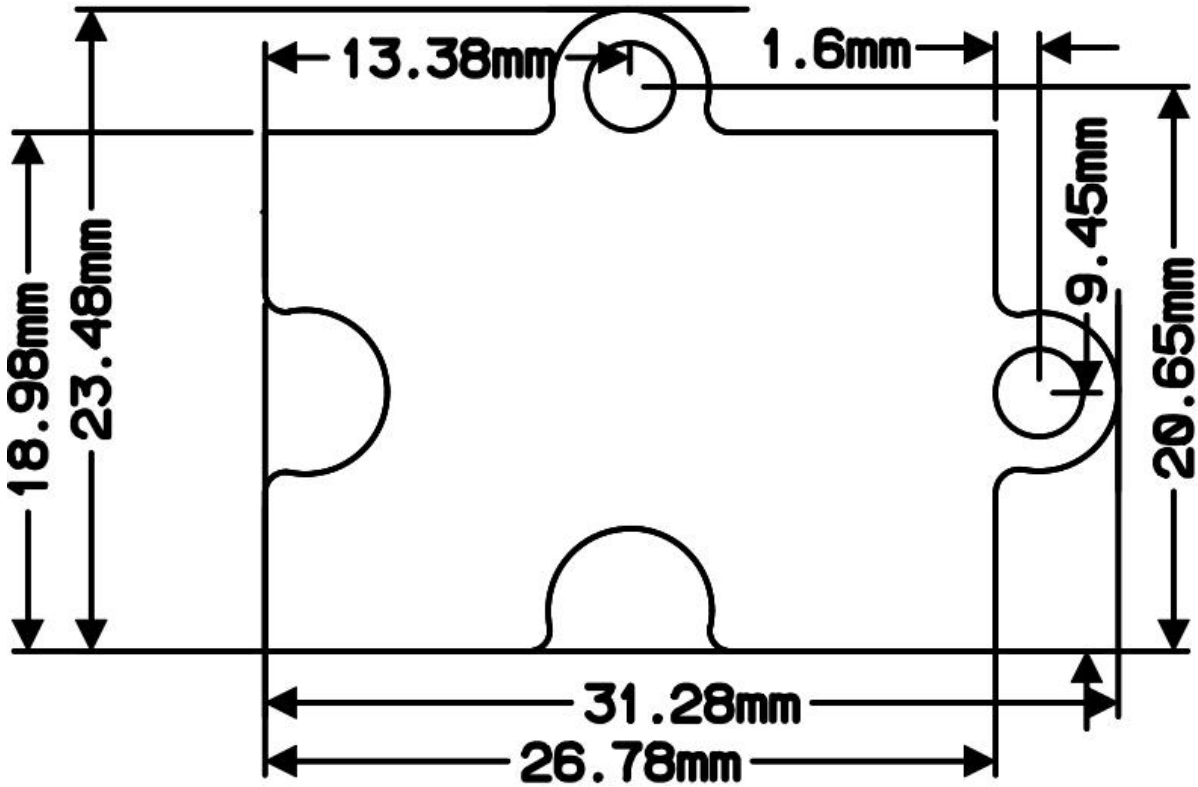


Figure 2 Dimension

9. Revision history

REVISION	DESCRIPTION	RELEASE DATE
V1.0	Initial version	06/09/2017

10. Contact information

For more information, please visit: <http://www.elecbreaks.com>

For technical service, please send an email to: service@elecbreaks.com.